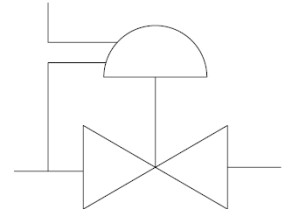


## BACK PRESSURE DOME VALVES

### BPD8

### VALVE SYMBOL



Gas or Liquid

Internal and External  
Dome Loading

2 - 450 Bar Set  
Pressure Range

-50°C to +140°C

Easy to adjust set  
pressure

DN 8

Ø8mm Nominal  
Bore

Weight: 3.9Kg  
(Stainless Steel)

The high-pressure BPD8 Back Pressure Valve offers high-flow, as well as a wide set pressure range.

The seat and valve design ensure a smooth and controlled pressure relief and excellent re-seat characteristics due to virtually zero hysteresis.

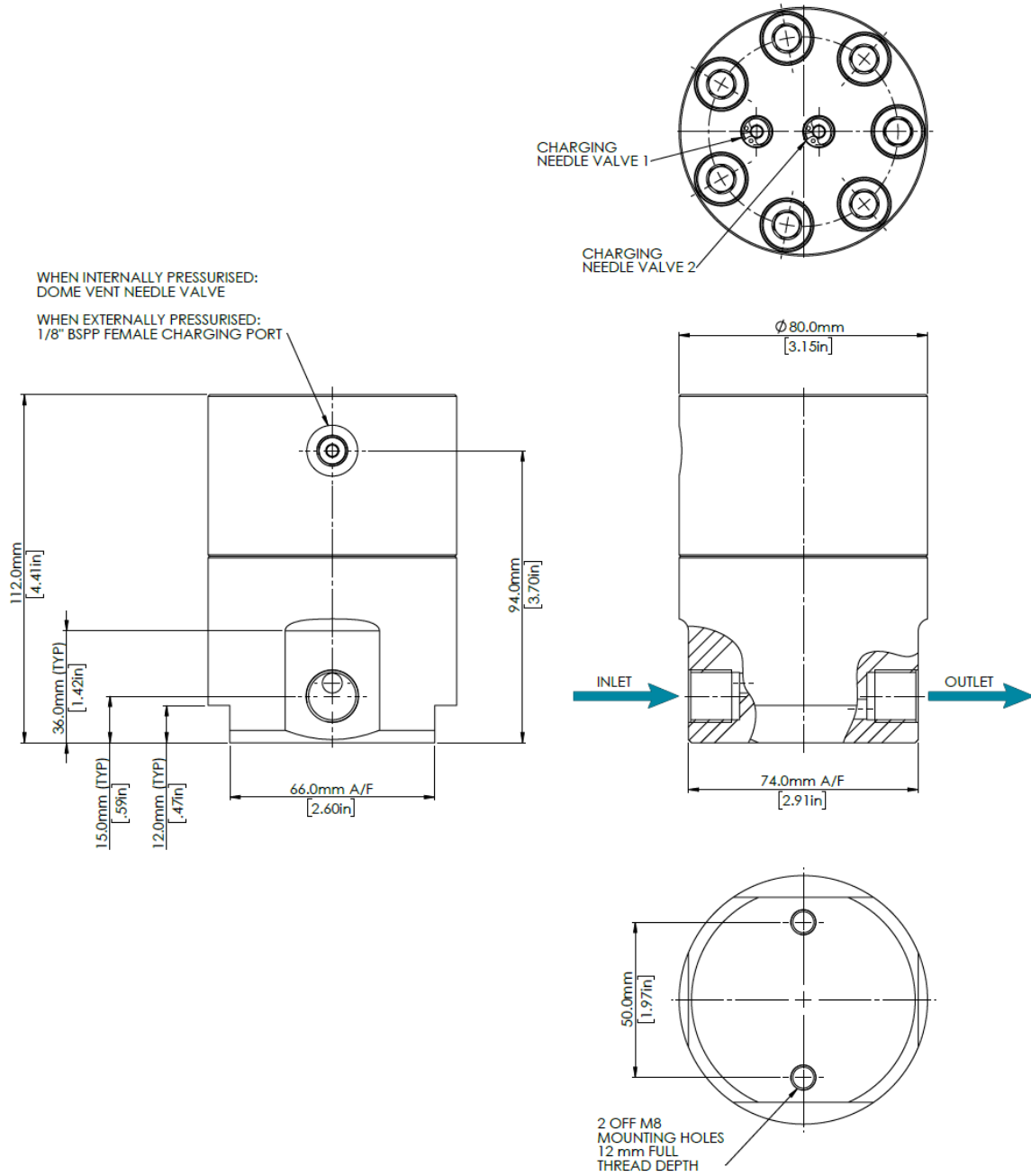
The valve has been designed to be used with a wide range of gasses and liquids. Component parts are precision machined and include fine finishes where required to ensure excellent leak tight integrity even with the most searching of mediums.

### MATERIALS

Body	See product selector
Stem (main valve)	1.4404 (316L Stainless Steel)
Seat	See product selector
Back-up rings	PTFE
Valve Spring (Wetted)	316 Stainless Steel
O-rings	See product selector
Trim	A4 Stainless Steel

## DIMENSIONS AND INSTALLATION DETAIL

Shown with 3/8" BSPP PORTS



## MODEL CODE CONFIGURATOR COMPLETE VALVES

Product Type -	Set Pressure Range -	Porting Size -	Porting Type -	Material -	Seal Material -	Seat Material	Inlet Gauge Port
BPD8 -	1 (2 – 400 Bar)	1 (1/4")	FB (BSPP Female)	1 (Aluminium)	1 (EPDM) -50°C to +140°C	1 (Nylon)	1 (No Gauge Port)
	2 (2 – 450 Bar)	2 (3/8")	FN (NPT Female)	2 (Brass)	2 (FKM) -20°C to +140°C	2 (Peek)	2 (1/4" BSPP Gauge Port)
		3 (1/2")		3 (Stainless Steel)	3 (NBR) -30°C to +100°C	3 (PTFE)	
				4 (Aluminium Bronze)	4 (HNBR) -35°C to +140°C	4 (PCTFE)	

*Example part number: BPD8 – 2 – 2 – FB – 3 – 3 – 2 – 1*

*Other options available on request. Please contact Flow Products*

### Maximum working pressure

Stainless Steel: Limited to 450 Bar MWP.

Brass: Limited to 400 Bar MWP.

Aluminium: Limited to 400 Bar MWP.

Aluminium Bronze: Limited to 400 Bar MWP.

BSPP Ports: Limited to 450 Bar MWP.

NPT Ports: Limited to 450 Bar MWP.

## SERVICE KITS

Product Type -	Seal Material -	Seat Material
BPD8 -	1 (EPDM)	1 (Nylon)
	2 (FKM)	2 (Peek)
	3 (NBR)	3 (PTFE)
	4 (HNBR)	4 (PCTFE)

*Example part number: BPD8 – 3 – 2*