

BACK PRESSURE DOME VALVES

BPD15

Gas or Liquid

Internal and External
Dome Loading

3 - 450 Bar Set
Pressure Range

-50°C to +140°C

Easy to adjust set
pressure

DN 15

Ø13mm Nominal
Bore

Weight: 11.1Kg
(Stainless Steel)

The high-pressure BPD15 Back Pressure Valve offers high-flow, as well as a wide set pressure range.

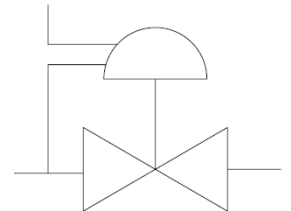
The seat and valve design ensure a smooth and controlled pressure relief and excellent re-seat characteristics due to virtually zero hysteresis.

The valve has been designed to be used with a wide range of gasses and liquids. Component parts are precision machined and include fine finishes where required to ensure excellent leak tight integrity even with the most searching of mediums.

MATERIALS

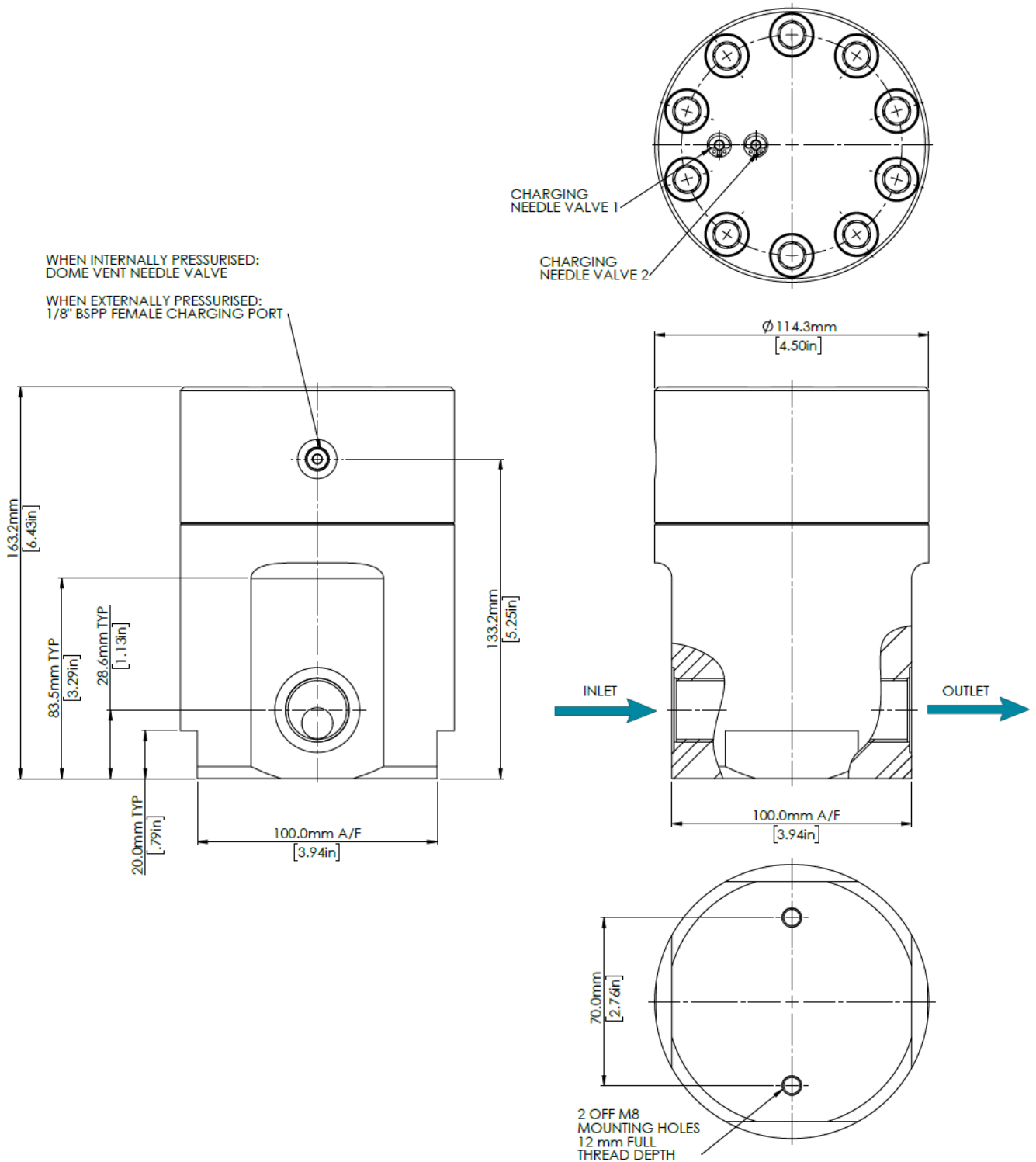
Body	See product selector
Stem (main valve)	1.4404 (316L Stainless Steel)
Seat	See product selector
Back-up rings	PTFE
Valve Spring (Wetted)	316 Stainless Steel
O-rings	See product selector
Trim	A4 Stainless Steel

VALVE SYMBOL



DIMENSIONS AND INSTALLATION DETAIL

Shown with 3/4" PORTS



MODEL CODE CONFIGURATOR COMPLETE VALVES

Product Type -	Set Pressure Range -	Porting Size -	Porting Type -	Material -	Seal Material -	Seat Material	Outlet Gauge Port
BPD15 -	1 (3 – 400 Bar)	1 (1/2")	FB (BSPP Female)	1 (Aluminium)	1 (EPDM) -50°C to +140°C	1 (Nylon)	1 (No Gauge Port)
	2 (3 – 450 Bar)	2 (3/4")	FN (NPT Female)	2 (Brass)	2 (FKM) -20°C to +140°C	2 (Peek)	2 (1/4" BSPP Gauge Port)
		3 (1")		3 (Stainless Steel)	3 (NBR) -30°C to +100°C	3 (PTFE)	
				4 (Aluminium Bronze)	4 (HNBR) -35°C to +140°C	4 (PCTFE)	

Example part number: BPD15 – 2 – 2 – FB – 3 – 3 – 2 – 1

Other options available on request. Please contact Flow Products

Maximum working pressure

Stainless Steel: Limited to 450 Bar MWP.

Brass: Limited to 400 Bar MWP.

Aluminium: Limited to 400 Bar MWP.

Aluminium Bronze: Limited to 400 Bar MWP.

BSPP Ports: Limited to 450 Bar MWP.

NPT Ports: Limited to 450 Bar MWP.

SERVICE KITS

Product Type -	Seal Material -	Seat Material
BPD15 -	1 (EPDM)	1 (Nylon)
	2 (FKM)	2 (Peek)
	3 (NBR)	3 (PTFE)
	4 (HNBR)	4 (PCTFE)

Example part number: BPD15 – 3 – 2